
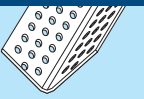


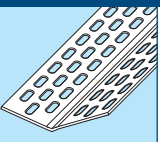
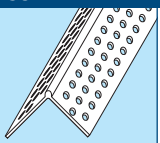
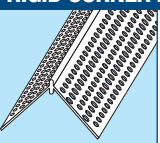


| 90° EXTERNAL CORNER BEADS | |
|--|--|
|  | 72-4008 90° External Bead (2400mm) 72-4010 90° External Bead (3000mm) |
| 90° INSIDE CORNER BEADS | |
|  | 72-4358 90° Internal Bead (2400mm) 72-4350 90° Internal Bead (3000mm) |
| 90° EXTERNAL ARCHWAY BEADS | |
|  | 72-4108 90° Archway Bead (2400mm) 72-4110 90° Archway Bead (3000mm) |
| 135° EXTERNAL CORNER BEADS | |
|  | 72-4208 135° External Bead (2400mm) 72-4210 135° External Bead (3000mm) |

| ADJUSTABLE INSIDE CORNER BEADS | |
|---|--|
|  | 72-4308 Adjustable (70° - 150°) Internal Corner Bead (2400mm) 72-4310 Adjustable (70° - 150°) Internal Corner Bead (3000mm) |
| 90° EXTERNAL SLIMLINE BEADS | |
|  | 72-6008 90° Slimline External Bead (2400mm) 72-6010 90° Slimline External Bead (3000mm) |
| RIGID CORNER BEADS | |
|  | 72-R010 90° Rigid External Bead (3000mm) 72-RA10 90° Rigid Archway Bead (3000mm) 72-RS10 135° Rigid Adjustable Inside Bead (3000mm) |

INSTALLATION

- Ensure the substrate is true and plumb
- Remove excess overhang of plasterboard prior to installation of Trim-Tex beads
- Cut Trim-Tex bead to length, leaving 6mm minimum clearance above the floor on lengths to be installed vertically. When installing Arch Plus, for straight 90° corners, measure and cut Arch Plus to length and for curves and archways, snip, bead and tear the tear away strip towards the bead
- Spray a liberal coat of Trim-Tex 847 Spray Adhesive to the inside of the Trim-Tex bead as well as the surface of the plasterboard where the Trim-Tex bead is to be installed
- Apply firm even pressure to the mud legs using the Trim-Tex Cleaning Tool to ensure a solid bond
- Staple through the set leg of the Trim-Tex bead at 200mm centres maximum, using 10mm divergent staples (refer to stapling diagram). When installing archway beads staple every tab for ultimate bond
- Re-apply pressure to the set leg of the Trim-Tex bead if required
- Set the Trim-Tex bead with approved compounds (refer to standard ASTM-C475-02 (2007) or the Plasterboard Manufacturers recommendations)

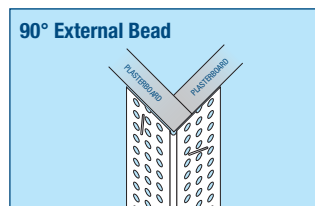
NOTES:

- The incorrect installation of Trim-Tex Beads will void any Warranty (see Trim-Tex Product Warranty at www.wallboardtools.com.au)
- Refer to RenderEdge beads for external use
- On vertical installation of Trim-Tex beads allow 6mm minimum clearance above floor for structural movement
- Adjustable Inside Corner Beads (72-4308, 72-4310) are not design for structural movement

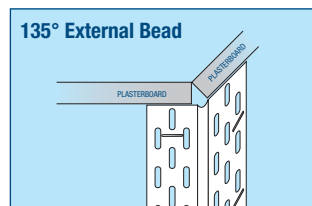
Spray Adhesive 847
 Spray a liberal coat of 847 to the inside of the bead as well as the surface of the plasterboard. Apply firm even pressure to ensure a solid bond.



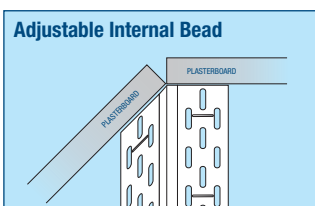
Trim-Tex 847 Spray Adhesive is a high tack, pressure sensitive spray adhesive specifically designed to be used to install Trim-Tex Beads.

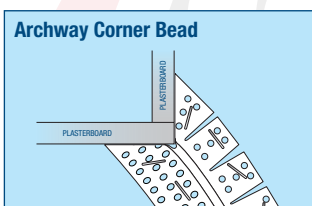
Trim-Tex Corner Beads are installed quickly and easily with 847 Spray Adhesive and Staples. The result is a dent resistant, square, 90° corner.



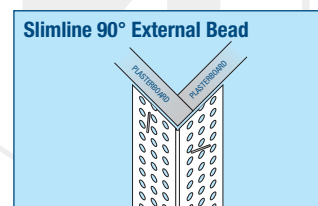
Trim-Tex Splayed External Beads adjust to external angles between 120°-140° providing a more open feel.



Adjustable Internal Beads produce sharp corners on inside corners between 70°-120°. Adjustable Internal Beads are not suitable for areas where structural movement is a concern.



Produce free flowing curves with Trim-Tex Archway Beads. Install with Spray Adhesive and staples. Staple every tab for ultimate bond.



Reduce skirting deflection with Slimline Corner Bead. Slimline creates a lower profile 90° angle while reducing the amount of compound required.

PRODUCT DATA SHEET

